

CABINET FOR FIRE HOSE REEL, FIRE EQUIPMENT AND BREECHING INLET



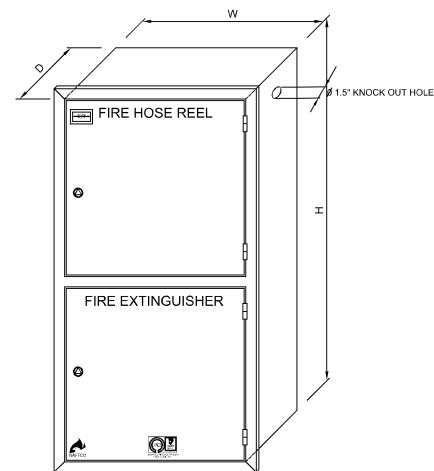
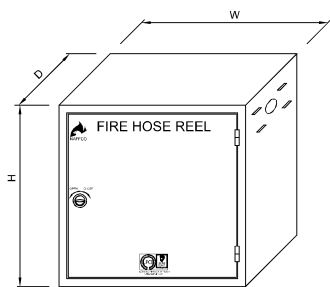
CABINETS

PRODUCT DESCRIPTION

NAFFCO cabinets are designed to accommodate fire hose reel, fire fighting equipment and breaching inlet. Fire hose reel cabinets are manufactured to comply with BSEN 671-1 standard and breaching inlet cabinets are manufactured to comply to BS 5041 -5 standard.

FEATURES

- Kitemark & LPCB approved for different sizes of cabinets
- Cabinet material made of Electro Galvanized sheet or Stainless Steel Sheet (Full stainless steel brush or mirror finish).
- Locking of cabinet is either key operated or round handle cam latch.
- Cabinets are available either in surface mounted or recessed mounted type.
- Cabinet door shall be solid door.
- Breaching inlet cabinets are available in horizontal or vertical version.



SPECIFICATIONS

Sl. No.	Model Number	Description	Dimension in mm (H x W x D)
1	NF SM 300	Single cabinet, surface mounted, mild steel, solid door	850 x 750 x 300
2	NF RM 300	Single cabinet, recessed mounted, mild steel, solid door	800 x 750 x 300
3	NF SSB 300	Single cabinet, surface mounted, brush finish stainless steel, solid door	850 x 750 x 310
4	NF SSM 300	Single cabinet, surface mounted, mirror finish stainless steel, solid door	850 x 750 x 310
5	NF RSB 300	Single cabinet, recessed mounted, brush finish stainless steel, solid door	800 x 750 x 300
6	NF RSM 300	Single cabinet, recessed mounted, mirror finish stainless steel, solid door	800 x 750 x 300
7	NF SMK 300	Single cabinet, surface mounted, mild steel, solid door, break glass & key	850 x 750 x 300
8	NF RMK 300	Single cabinet, recessed mounted, mild steel, solid door, break glass & key	800 x 750 x 300
9	NF SSBK 300	Single cabinet, surface mounted, brush finish stainless steel, solid door, break glass & key	850 x 750 x 310

Sl. No.	Model Number	Description	Dimension in mm (H x W x D)
10	NF SSMK 300	Single cabinet, surface mounted, mirror finish stainless steel, solid door, break glass & key	850 x 750 x 310
11	NF RSBK 300	Single cabinet, recessed mounted, brush finish stainless steel, solid door, break glass & key	800 x 750 x 300
12	NF RSMK 300	Single cabinet, recessed mounted, mirror finish stainless steel, solid door, break glass & key	800 x 750 x 300
13	NF SM 900	Double vertical cabinet, surface mounted, mild steel, solid door	1650 x 800 x 300
14	NF RM 900	Double vertical cabinet, recessed type, mild steel, solid door	1600 x 800 x 300
15	NF SSB 900	Double vertical cabinet, surface mounted, brush finish stainless steel, solid door	1650 x 800 x 310
16	NF SSM 900	Double vertical cabinet, surface mounted, mirror finish stainless steel, solid door	1650 x 800 x 310
17	NF RSB 900	Double vertical cabinet, recessed mounted, brush finish stainless steel, solid door	1600 x 800 x 300
18	NF RSM 900	Double vertical cabinet, recessed mounted, mirror finish stainless steel, solid door	1600 x 800 x 300
19	NF SMK 900	Double vertical cabinet, surface mounted, mild steel, solid door, break glass & key	1650 x 800 x 300
20	NF RMK 900	Double vertical cabinet, recessed mounted, mild steel, solid door, break glass & key	1600 x 800 x 300
21	NF SSBK 900	Double vertical cabinet, surface mounted, brush finish stainless steel, solid door, break glass & key	1650 x 800 x 310
22	NF SSMK 900	Double vertical cabinet, surface mounted, mirror finish stainless steel, solid door, break glass & key	1650 x 800 x 310
23	NF RSBK 900	Double vertical cabinet, recessed mounted, brush finish stainless steel, solid door, break glass & key	1600 x 800 x 300
24	NF RSMK 900	Double vertical cabinet, recessed mounted, mirror finish stainless steel, solid door, break glass & key	1600 x 800 x 300
25	NF SMP 300	Single cabinet, surface mounted, mild steel, solid door, piano hinge	850 x 750 x 300
26	NF RMP 300	Single cabinet, recessed mounted, mild steel, solid door, piano hinge	800 x 750 x 300
27	NF SMPK 300	Single cabinet, surface mounted, mild steel, solid door, piano hinge, break glass & key	850 x 750 x 300
28	NF RMPK 300	Single cabinet, recessed mounted, mild steel, solid door, piano hinge, break glass & key	800 x 750 x 300
29	NF SMGK 900	Double vertical cabinet, surface mounted, mild steel, glass door, break glass & key	1650 x 800 x 300
30	NF RMGK 900	Double vertical cabinet, recessed mounted, mild steel, glass door, break glass & key	1600 x 800 x 300
31	NF SSBGK 900	Double vertical cabinet, surface mounted, brush finish stainless steel, glass door, break glass & key	1650 x 800 x 310
32	NF SSMGK 900	Double vertical cabinet, surface mounted, mirror finish stainless steel, glass door, break glass & key	1650 x 800 x 310
33	NF RSBGK 900	Double vertical cabinet, recessed mounted, brush finish stainless steel, glass door, break glass & key	1600 x 800 x 300
34	NF RSMGK 900	Double vertical cabinet, recessed mounted, mirror finish stainless steel, glass door, break glass & key	1600 x 800 x 300
35	NF SMP 900	Double vertical cabinet, surface mounted, mild steel, solid door, piano hinge	1650 x 800 x 300
36	NF RMP 900	Double vertical cabinet, recessed mounted, mild steel, solid door, piano hinge	1600 x 800 x 300
37	NF SMG 900	Double vertical cabinet, surface mounted, mild steel, glass door	1650 x 800 x 300
38	NF RMG 900	Double vertical cabinet, recessed type, mild steel, glass door	1600 x 800 x 300
39	NF SSBG 900	Double vertical cabinet, surface mounted, brush finish stainless steel, glass door	1650 x 800 x 310
40	NF SSMG 900	Double vertical cabinet, surface mounted, mirror finish stainless steel, glass door	1650 x 800 x 310
41	NF RSBG 900	Double vertical cabinet, recessed mounted, brush finish stainless steel, glass door, piano hinge	1600 x 800 x 300
42	NF RSMG 900	Double vertical cabinet, recessed mounted, mirror finish stainless steel, glass door, piano hinge	1600 x 800 x 300
43	NF SMPK 900	Double vertical cabinet, surface mounted, mild steel, solid door, piano hinge, break glass & key	1650 x 800 x 300
44	NF RMPK 900	Double vertical cabinet, recessed mounted, mild steel, solid door, piano hinge, break glass & key	1600 x 800 x 300
45	NF SMGP 900	Double vertical cabinet, surface mounted, mild steel, glass door, piano hinge	1650 x 800 x 300
46	NF RMGP 900	Double vertical cabinet, recessed mounted, mild steel, glass door, piano hinge	1600 x 800 x 300
47	NF SMGPK 900	Double vertical cabinet, surface mounted, mild steel, glass door, piano hinge, break glass & key	1650 x 800 x 300
48	NF RMGPK 900	Double vertical cabinet, recessed mounted, mild steel, glass door, piano hinge, break glass & key	1600 x 800 x 300

BOXES FOR DRY RISER INLETS



Sl. No.	Model Number	Description	Dimension in mm (H x W x D)
1	NF-2WDRIC-SM	4" x 2 Way Box For Dry Riser Inlets, Surface Mounted, Horizontal	595 x 395 x 295
2	NF-4WDRIC-SM	6" x 4 Way Box For Dry Riser Inlets, Surface Mounted, Horizontal	595 x 595 x 295
3	NF-2WDRIC-SMA	4" x 2 Way Box For Dry Riser Inlets, Surface Mounted, Vertical	395 x 595 x 295
4	NF-2WDRIC-RT	4" x 2 Way Box For Dry Riser Inlets, Recessed Type	595 x 395 x 295
5	NF-4WDRIC-RT	6" x 4 Way Box For Dry Riser Inlets, Recessed Type	595 x 595 x 295
6	NF-2WDRIC-RTA	4" x 2 Way Box For Dry Riser Inlets, Recessed Type	395 x 595 x 295